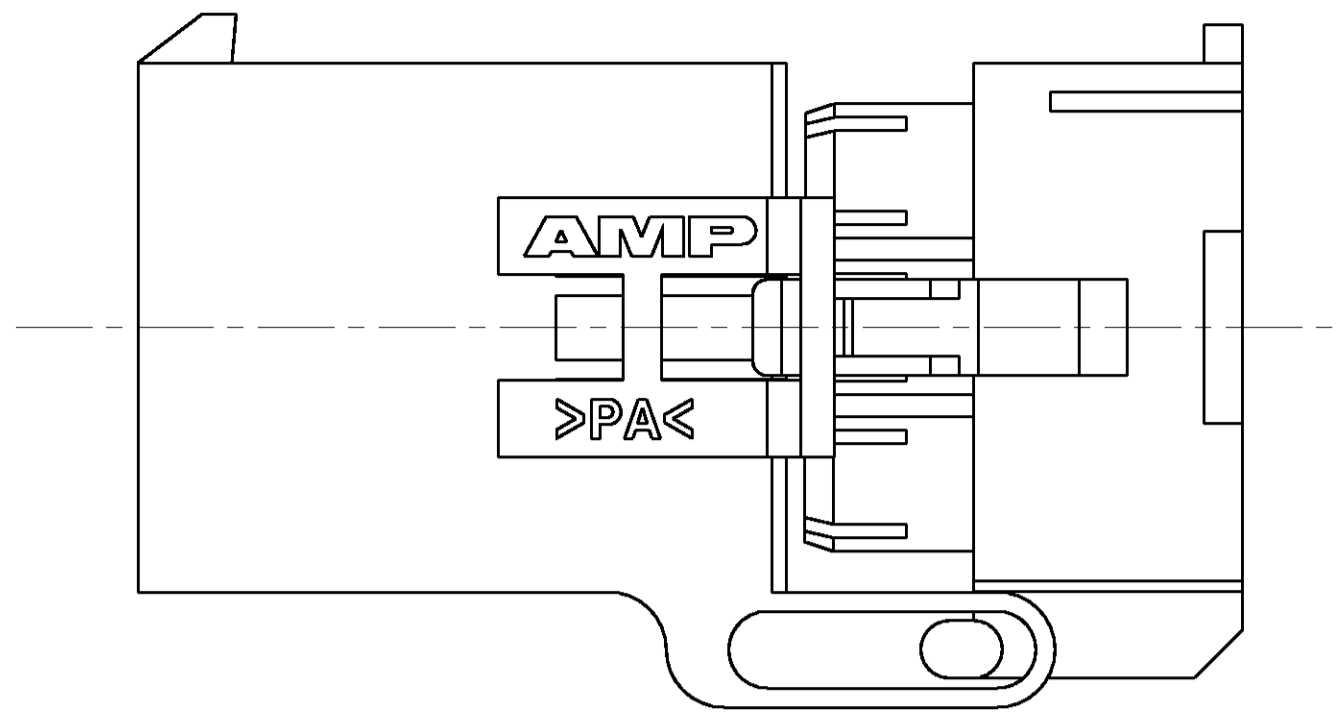
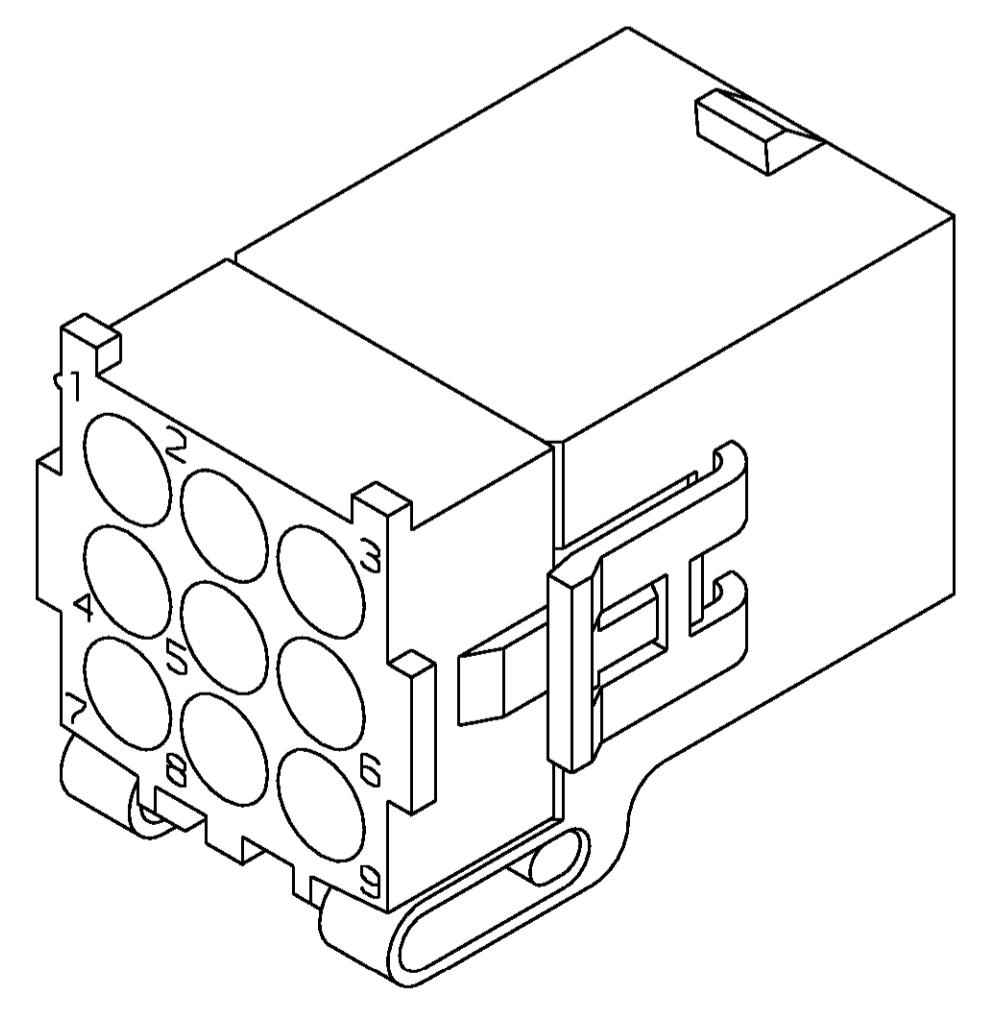
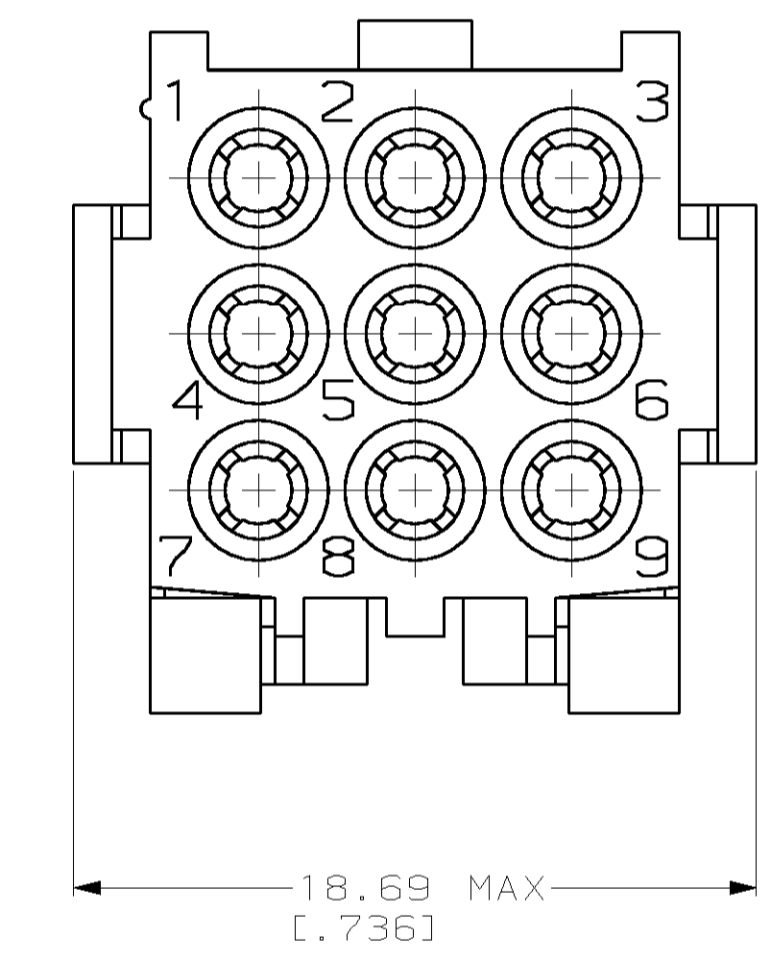
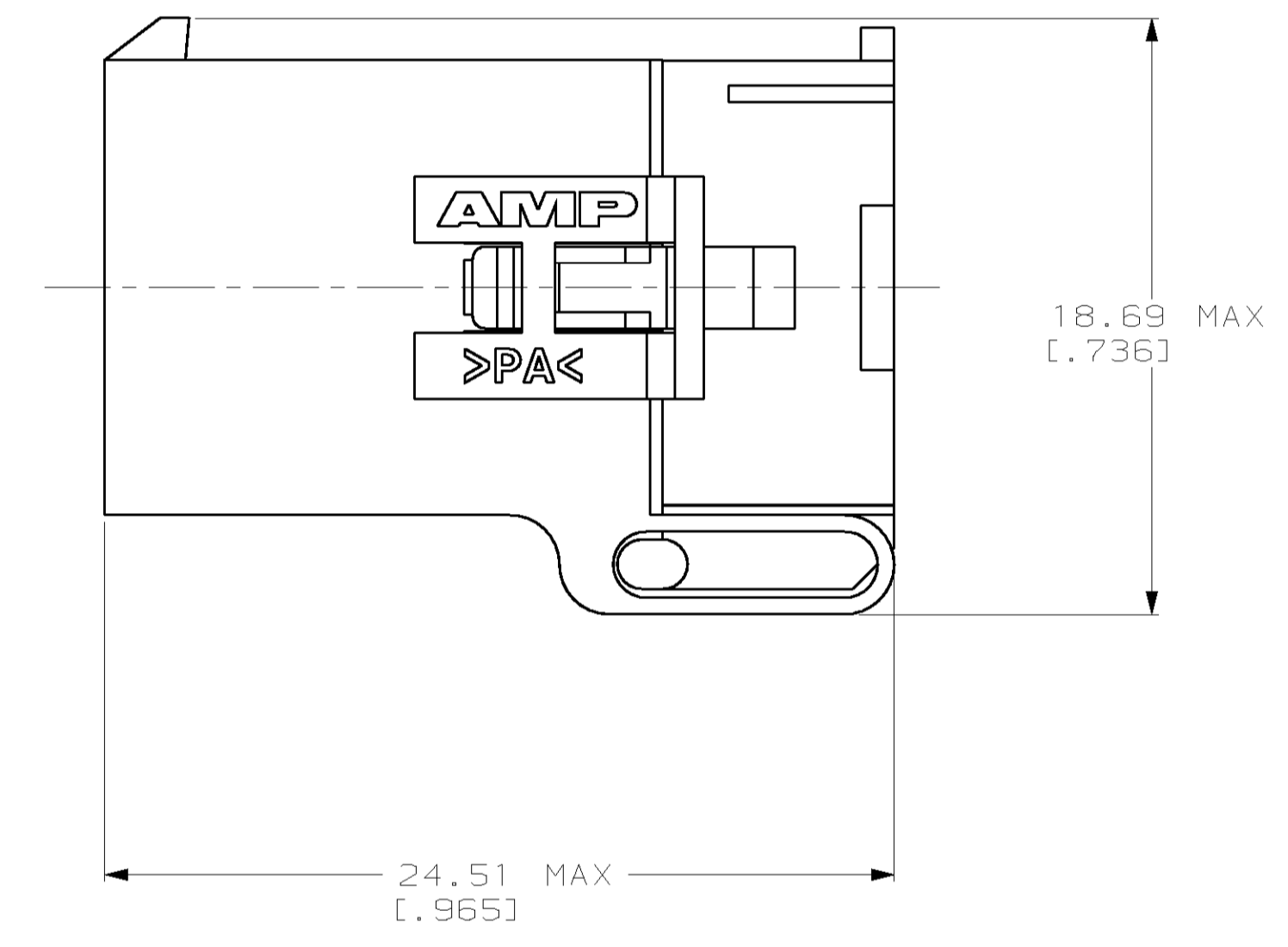
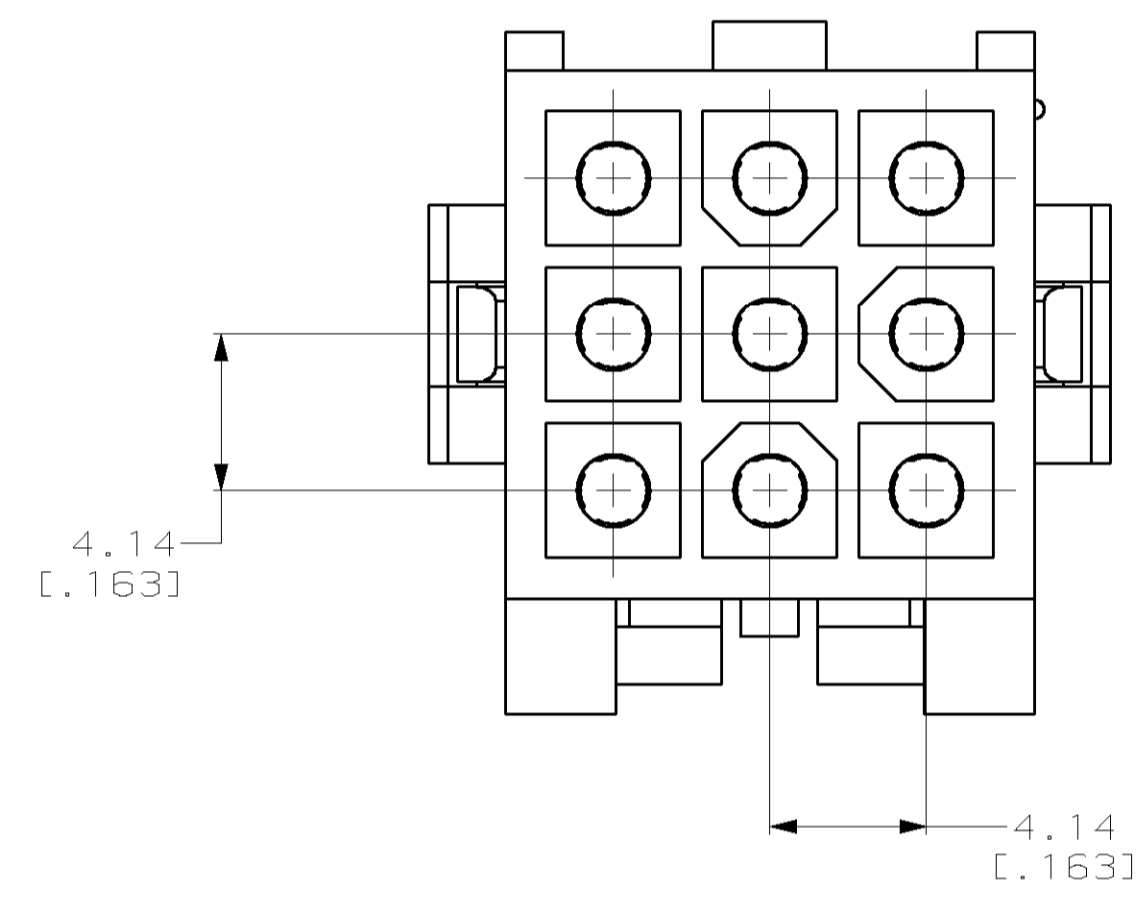


LOC		DIST		REVISIONS				
F	CHR	DATE	OWN	APVD	DESCRIPTION	DATE	OWN	APVD
B		23-SEP-99	KW	KC	REV PER EC 061B-0094-99			



PRE-STAGED CONDITION

1. DIMENSIONS IN BRACKETS ARE IN INCHES.



3-DIMENSIONAL MODEL  
NTS

794195-1  
PART NUMBER



THIS DRAWING IS A CONTROLLED DOCUMENT.		DWN K. WHITAKER 5-14-97	<b>AMP</b> AMP Incorporated Harrisburg, PA 17105-3608
DIMENSIONS:		CHK R. SWING 5-14-97	
mm	TOLERANCES UNLESS OTHERWISE SPECIFIED:	APVD R. ORSTAD 5-14-97	NAME CAP, 9 CIRCUIT, MINI UNIVERSAL MATE-N-LOK™ 2
0 PLC ±	1 PLC ±	PRODUCT SPEC	SIZE CAGE CODE DRAWING NO
2 PLC ±0.13 (.005)	3 PLC ±	APPLICATION SPEC	A1 00779 C-794195
4 PLC ±	ANGLES ±	RESTRICTED TO	SCALE 5:1 SHEET 1 OF 1 REV B
MATERIAL NYLON, UL 94V-0, NATURAL	FINISH -	WEIGHT -	CUSTOMER DRAWING